



BELLE

EN
 Belle, designed by Nahrang Studio, is a captivating family of luminaires that redefines decorative lighting thanks to its unmatched design and versatility. With three typologies: individual, linear system, and chandelier; Belle adapts to the needs of any project through complete customization that includes shape (semicircular or conical), material (glass or metal), color, number of luminaires, and distribution. It comes in five elegant finishes: Graphite Black, Silk Grey, Cement Grey, Oxide Red, and Stone Brown.

ES
 Belle, diseñada por Nahrang Studio es una cautivadora familia de luminarias que redefine la iluminación decorativa gracias a su diseño y versatilidad sin igual. Con tres tipologías: individual, sistema lineal y chandelier; Belle se adapta a las necesidades de cualquier proyecto a través de una completa personalización que abarca forma (semicircular o cónica), material (cristal o metal), color, número de luminarias y distribución. Dispone en cinco elegantes acabados: Graphite Black, Silk Grey, Cement Grey, Oxide Red y Stone Brown.

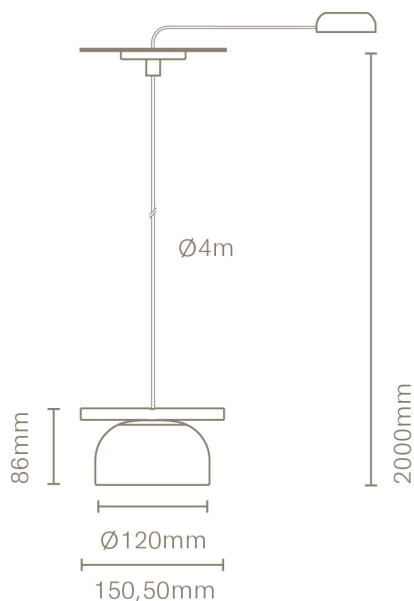
FR
 Belle, conçue par le studio Nahrang, est une famille envoûtante de luminaires qui redéfinit l'éclairage décoratif grâce à son design inégalé et à sa polyvalence. Avec trois typologies: individuelle, système linéaire et lustre; Belle s'adapte aux besoins de tout projet grâce à une personnalisation complète incluant la forme (semicirculaire ou conique), le matériau (verre ou métal), la couleur, le nombre de luminaires et la distribution. Elle est disponible en cinq finitions élégantes: Graphite Black, Silk Grey, Cement Grey, Oxide Red et Stone Brown.

IT
 Belle, progettata dallo studio Nahrang, è una affascinante famiglia di apparecchi luminosi che ridefinisce l'illuminazione decorativa grazie al suo design e alla sua versatilità senza pari. Con tre tipologie: singola, sistema lineare e lampadario; Belle si adatta alle esigenze di qualsiasi progetto attraverso una completa personalizzazione che include la forma (semicircolare o conica), il materiale (vetro o metallo), il colore, il numero di apparecchi luminosi e la distribuzione. È disponibile in cinque eleganti finiture: Graphite Black, Silk Grey, Cement Grey, Oxide Red e Stone Brown.

Belle single glass recessed

Technical information / Información técnica:

| | |
|--|-----------------------|
| Index Protection / Índice de protección: | IP20 |
| Driver: | Included / incluido |
| CRI: | 90 |
| Temperature / Temperatura: | 2700K / 3000K / 4000K |
| Lifetime / Tiempo de vida: Technology / Tecnología: | 50.000h L80B20 LED |
| Guarantee / Garantía: | 5 years / años |
| Class / Clase: | Class II |
| Voltage / Voltaje: | 220-240V |
| Power / Corriente: | 250 mA |
| Flicker: | Low ripple <5% |
| Step McAdam: | 3-SDCM |
| Cut-out / Huevo de empotramiento: | 60mm |
| Maximum luminaire length / Longitud máxima de luminaria: | 2m |

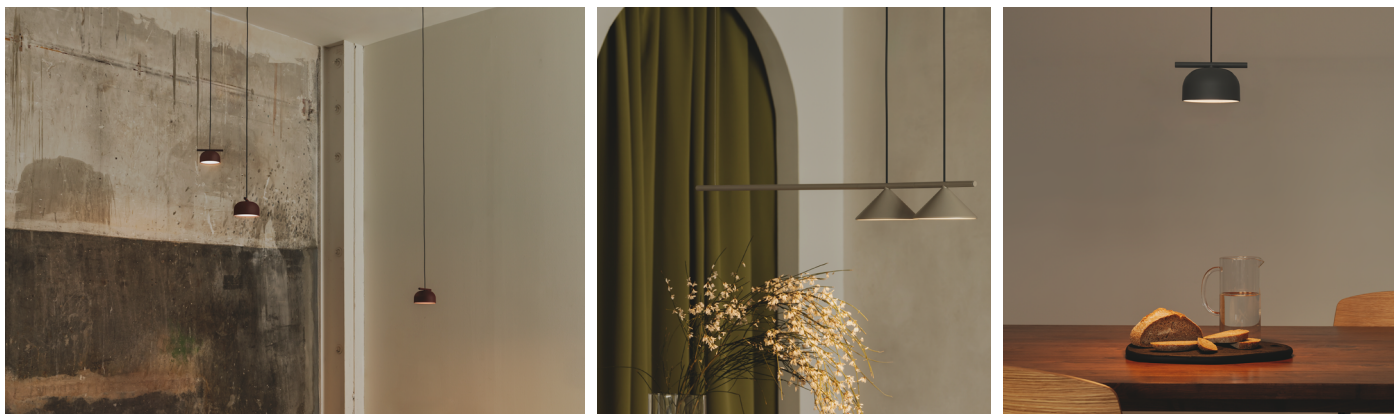


Model:

| | Colour | CRI/Temp. | Led | Dimming |
|--------|--------------------|-----------|-------------|------------------|
| 32121- | ● 1 Graphite Black | H 927 | 1 975lm /7W | - On-off |
| | ● E Silk Grey | E 930 | | R C.F. |
| | ● J Cement Grey | F 940 | | N Dali (no push) |
| | ● L Stone Brown | | | |
| | ● S Red Oxide | | | |

*Colour of the canopy + cable clamps ceiling GRAPHITE BLACK RAL 9011 MATTE

Other applications and configurations:



Quality certificates:

