

AI LIGHTS LATI

COLLECTION

MARIPOSA

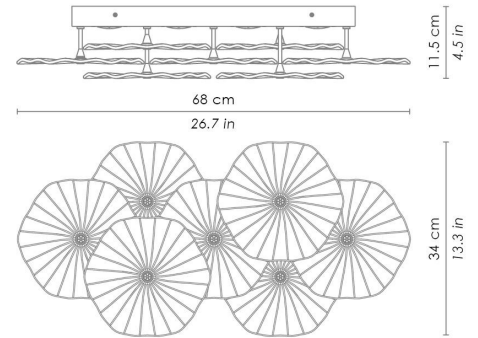
WALL

MARIPOSA

WALL



AI LIGHTS
LATTI



Handcrafted plate glass in various colours. Grey painted metal parts with chromed details. Customizable product

Dimmable version

CODE	COLOR	
LMR0201	Clear	
LMR0204	Clear amber	
LMR0205	Clear amethyst	
LMR0209	Grey	
LMR0209	Clear grey	
LMR0220	Clear light blue	

DIMENSIONS AND HOLES

Dimensions 34 x 68 -h 11,5 / 13,3 x 26,7 - h 4,5 in

ILLUMINOTECHNICAL SPECIFICATIONS

Source	LED
Type	SMD
Power LED	4 x 5 W
Lumen LED board	4 x 400 lm
Colour temperature	3000 K
CRI	>80
Lamp life	minimum 3 years guaranteed

ELECTRICAL SPECIFICATIONS

Driver	included
Voltage	220-240 V
Frequency	50 - 60 HZ

PHYSICAL SPECIFICATIONS

Thermal dissipation

included

We reserve the right to change the specifications of our product. For the latest information on the product visit www.zafferanoitalia.com