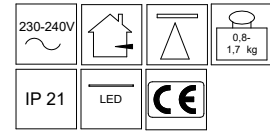
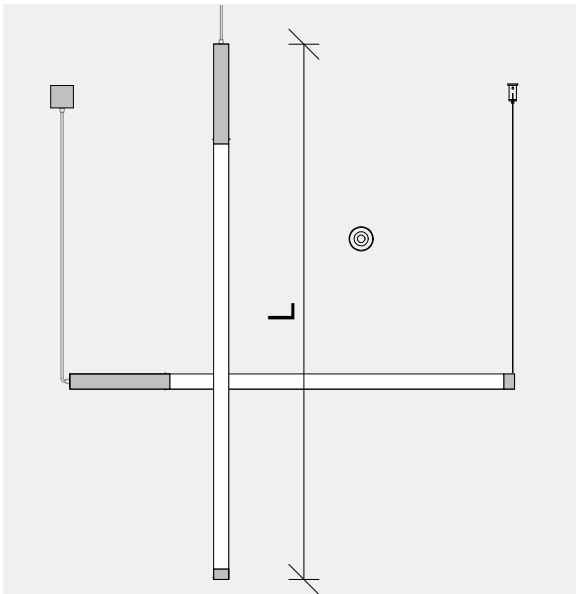


# Data Sheet

## Tube pendant Pendant lamp



### Architectural Design Pendant Lamp:

Light tube made of UV-stabilized, impact-resistant PMMA.

The tube is characterized by its excellent feel with a textured surface.

Metal caps made of brushed aluminium, gold-anodised or RAL powder-coated.

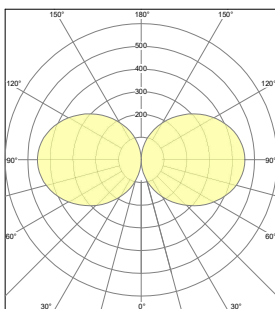
Electronic converter on/off or Dali-dimmable for LED range from 110V - 270 volts, 50-60 Hz.

Attachable transparent connection cable.

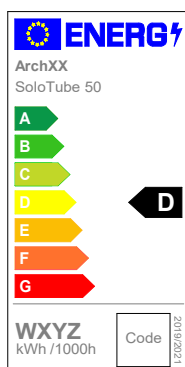
The luminaire is suitable for surface mounting on ceilings in a vertical or horizontal position with wire rope.

### TECHNICAL INFO

Lichtaustritt



Luminaire diameter	∅	50	50	50	50
Luminaire length	mm	750	1230	1500	1800
Nominal lamp power	W	18	26	33,5	42,6
Lamp luminous flux	lm	2630	3790	4890	6200
Luminaire luminous efficacy	lm/W	146	146	146	146
CCT	K	2700- 4000	2700- 4000	2700- 4000	2700- 4000
CRI		>80	>80	>80	>80
Overall	W	20	30	35	45
Weight	kg	0,8	1,3	1,6	1,8
<b>CODE</b>		<b>STP-20</b>	<b>STP-30</b>	<b>STP-40</b>	<b>STP-50</b>



We reserve the right to make technical changes

LED life: 50,000 h- L70/B10 Tc: 25° C

Operating temperature: -20 C to + 50° C degrees

Warranty: 2 years on material defects

Subject to technical changes, errors and typographical errors.

Illustrations, which may only be similar, serve as orientation

AL metal parts  
PMMA pipe  
LED modules  
Power supplies

