

FlapFlap°10 >> SINGLE PENDEL / SINGLE PENDANT >> KRONLEUCHTER / CHANDELIER

next® >> www.next.design

DESIGN BY CONSTANTIN WORTMANN, BÜRO FÜR FORM

PRODUKTBESCHREIBUNG / PRODUCT SPECIFICATION:

MATERIAL: PC, Stahl / steel

FARBE / COLOUR: weiß / white

LAMPE / LAMP:  E14, max, 40W

SINGLE PENDEL SINGLE PENDANT:

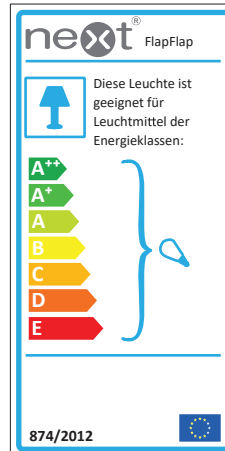
GEWICHT / WEIGHT: 1,7kg (1 / carton)

PACKING DIMENSION: 64 x 28 x 17cm

KRONLEUCHTER CHANDELIER:

GEWICHT / WEIGHT: 5kg (1 / carton)

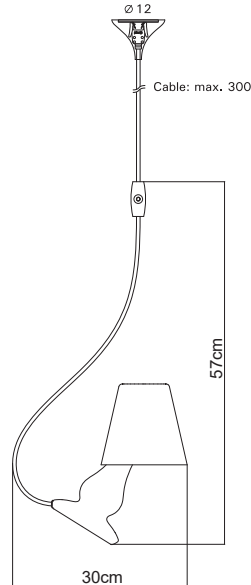
PACKING DIMENSION: 71 x 71 x 55,3cm



GRÖSSEN / DIMENSIONS (CM):

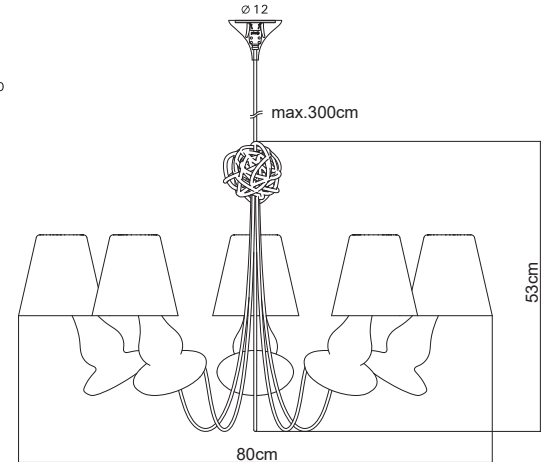
SINGLE PENDEL

SINGLE PENDANT:

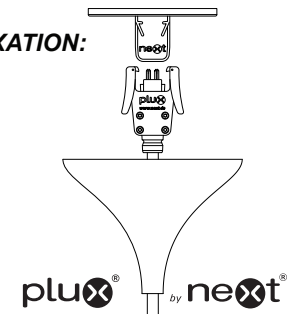


KRONLEUCHTER

CHANDELIER:



FIXATION:



plux® by **next®**
EASY TO HANG, EASY TO CHANGE:
PENDANT LIGHT HANGING SYSTEM

TECHNISCHE ANGABEN / TECHNICAL SPECIFICATIONS:

   IP20