

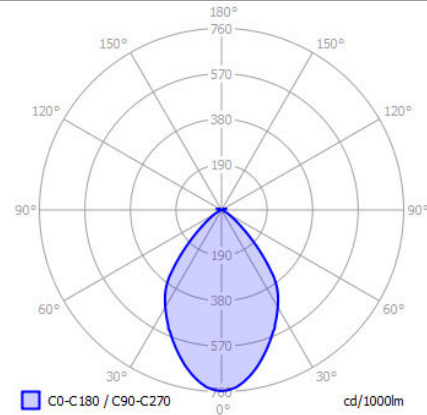
CLEO SILENT

SPECIFICATIONS

MOUNTING		CEILING
POWER	[W]	7
LAMP		built-in LED
LUMINOUS FLUX*	[lm]	655
LIGHT COLOUR	[K]	2700
CRI		>80
BEAM ANGLE	[°]	-
AVERAGE LIFETIME	[h]	L80/B50.000
LUMINOUS EFFICACY	[lm/W]	93
POWER SUPPLY	[V] [A]	220-240V AC 50/60 Hz
LED-DRIVER		INCLUDED
DIMMING		PHASE DIM
THROUGH-WIRING		NO
MATERIAL		ALUMINUM
INGRESS PROTECTION		IP20
PROTECTION CLASS		I
NET WEIGHT	[kg]	1,16
GROSS WEIGHT	[kg]	1,20
COLOUR (HOUSING)		BRASS
COLOUR (HOUSING)		BLACK -RAL9005



LIGHT DISTRIBUTION



*Luminous flux values are nominal LED data at a operating temperature of 25° C

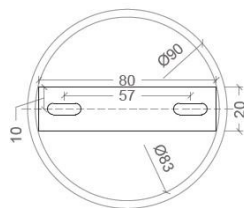
OPTIONS / OPTIONAL ACCESSORIES

CEILING HOUSING FOR MULTIPLE PEDANTS LP5/ LP7/ LP8/STAR
 CABLE KIT 5 5000mm cable
 ARCHISONIC® acoustic material ø280mm / ø450mm

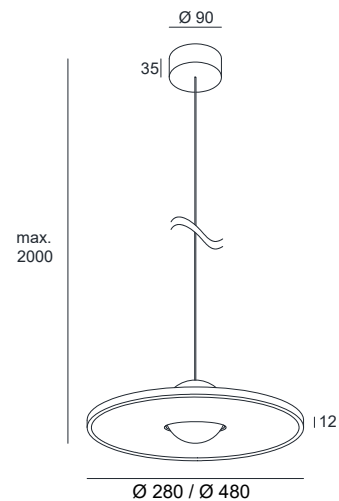
Colours



MOUNTING DIMENSIONS



FIXTURE DIMENSIONS



DLS LIGHTING

www.dslighting.com